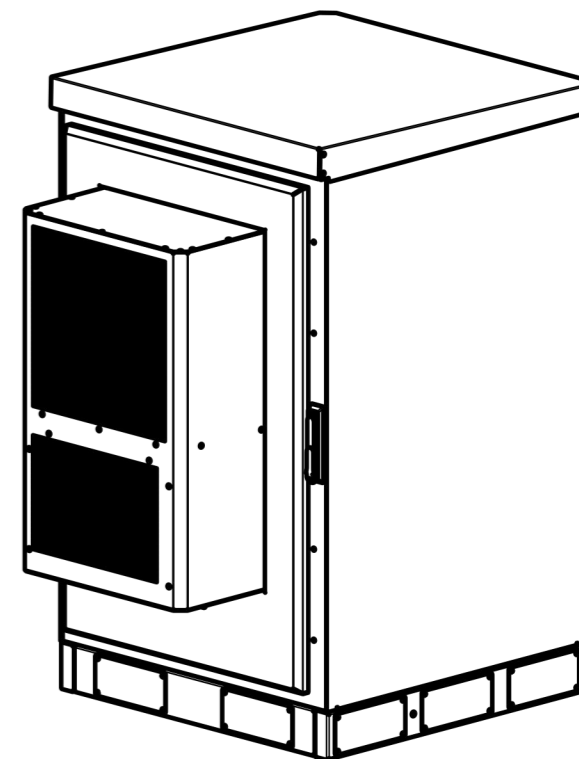
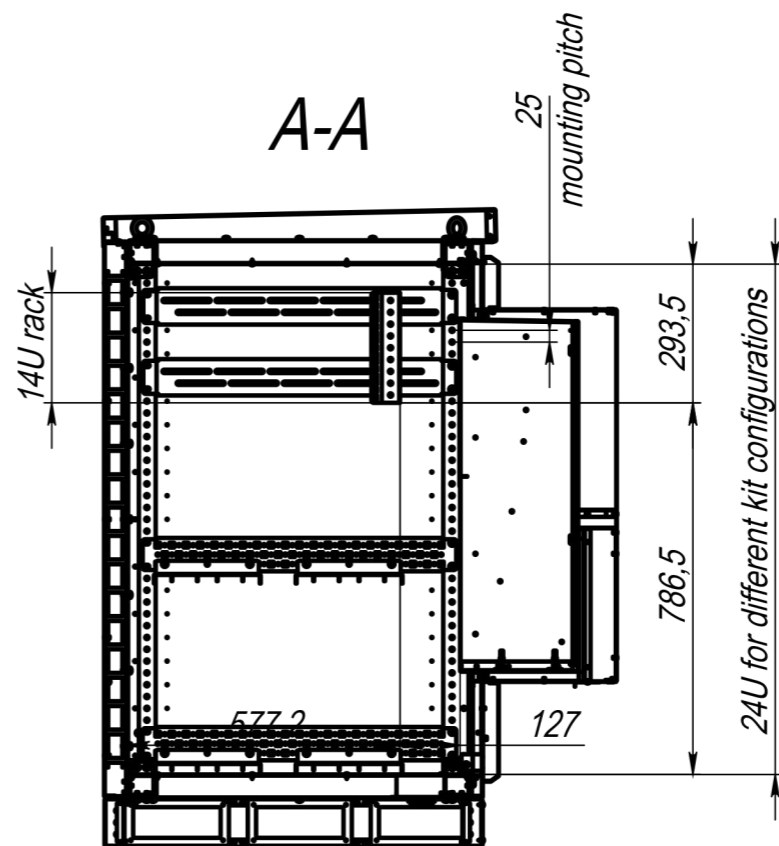
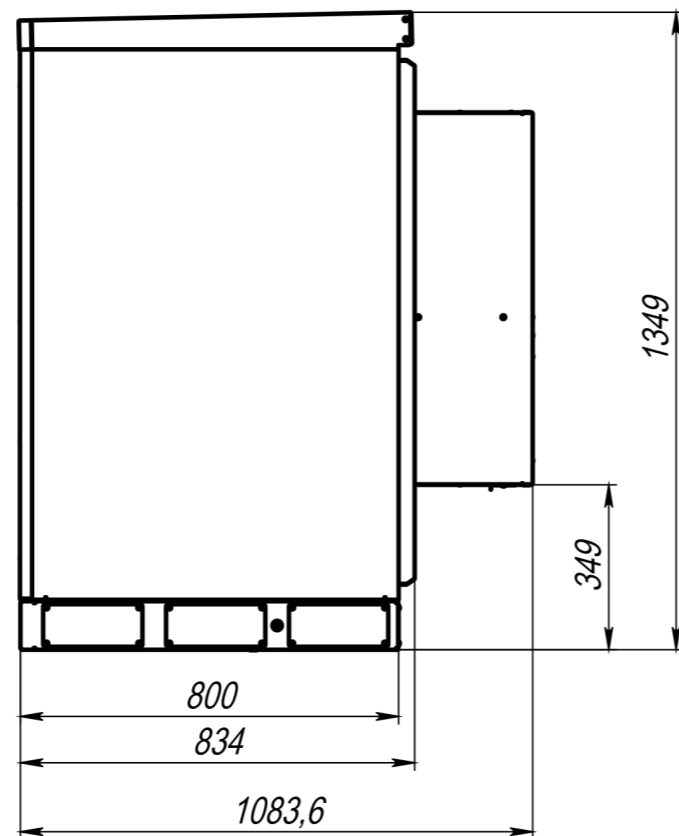
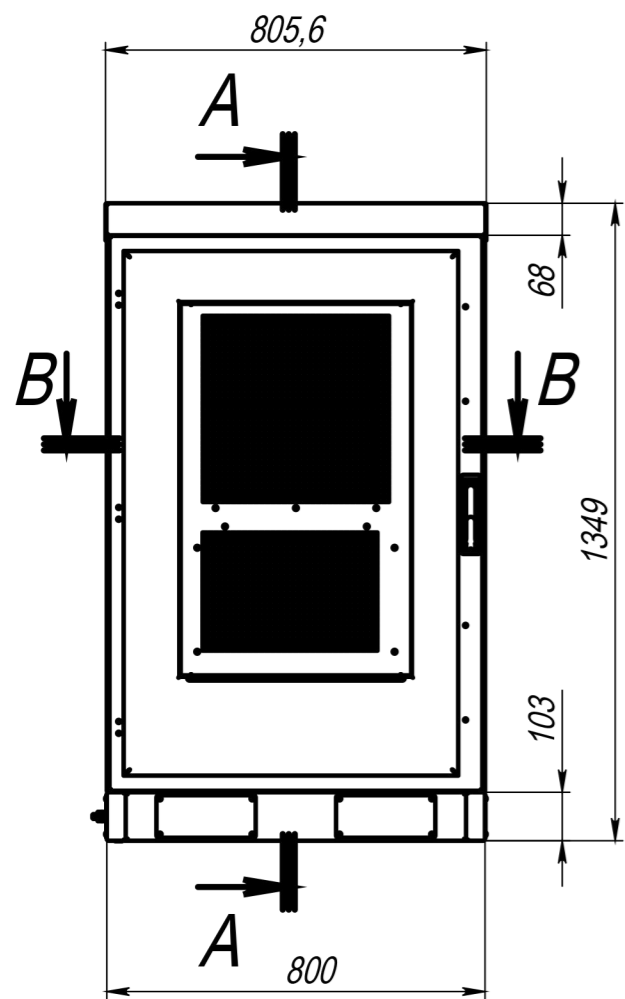
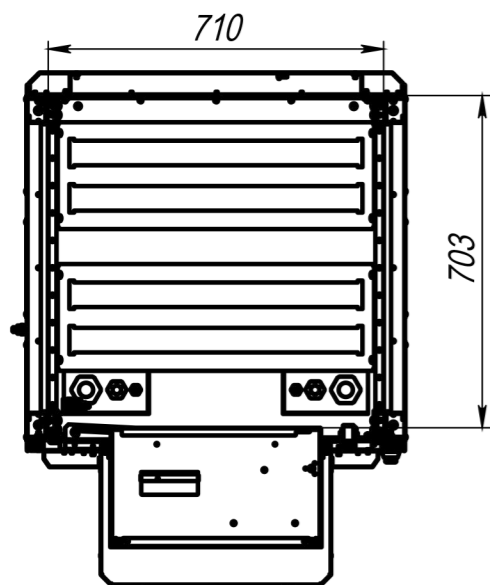


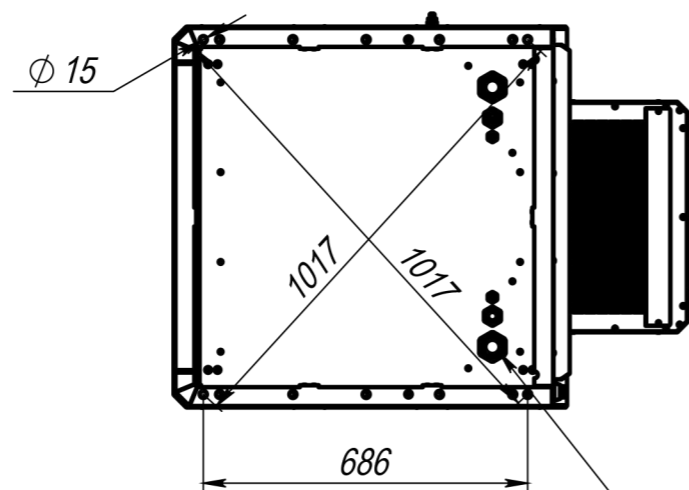
Dimensional drawing: Outdoor cabinet B24



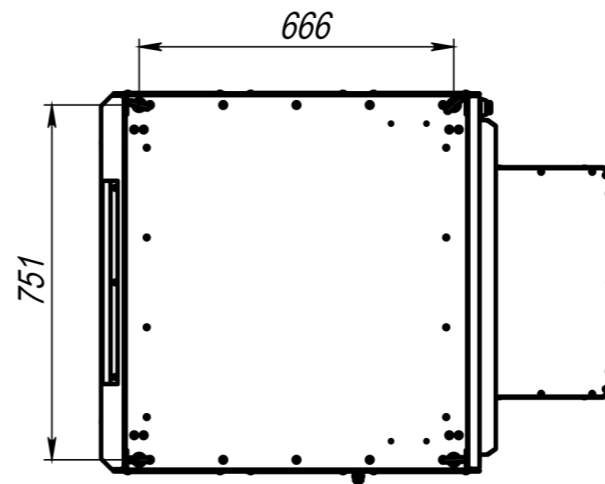
**B-B**  
Internal dimensions



Mounting holes



Heavy forged eye bolts



Sealed cable glands

