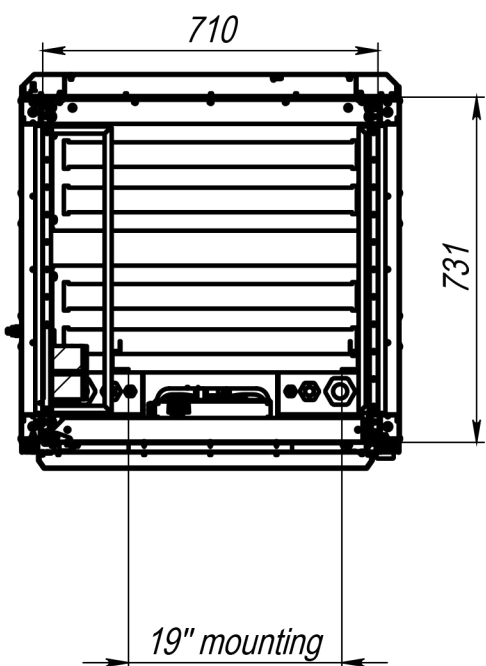
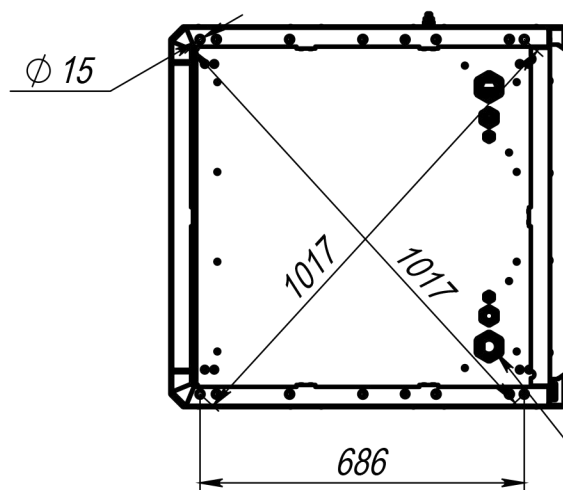


B-B

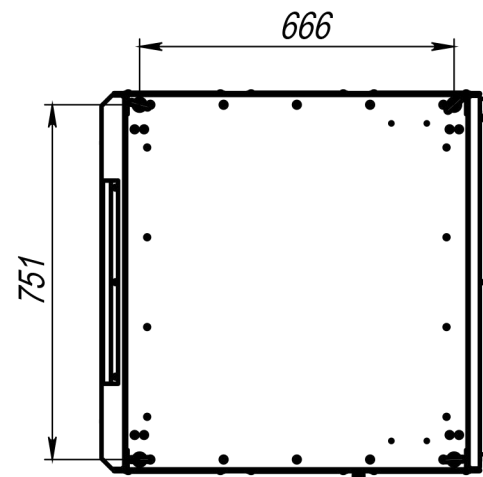
Internal dimensions



Mounting holes



Heavy forged eye bolts



Sealed cable glands

