

AC AIR CONDITIONER

HHEX-AIYB-010-xxx-020 / 1000W



PRODUCT OVERVIEW

AC Air Conditioner

The unit is specially designed for cooling electronic equipment in challenging outdoor environments and is often used in on or off grid telecom enclosure, telecommunication base station cooling, smart grid outdoor cabinet cooling as well as all kind of industry automation control boxes.

High efficiency AC powered cooling device for enclosed space like outdoor cabinet, shelter application.

Can be easily integrated into customer advanced management system, it will reduce OPEX up to 50%, reduce carbon footprint and maximized network availability.

Feature & benefits

- Energy-efficient, reduce OPEX through optimized energy management system, (normally it is a combination system among diesel generators, fuel cell, solar PV with battery bank)
- Compact product line is a mono-block unit with a plug and play future ensures immediately set up also with flange design for convenient through-wall (or cabinet) mounting.
- Using environmentally friendly refrigerant R134a
- Closed loop cooling protects equipment from ambient environment, with adjustable indoor temperature set point from 20-40°C degree, ventilation not required since system having highest efficiency.
- Remote measuring, remote communication, remote control, witch can realize multiple automatic protection and comprehensive self-testing function.
- Multiple self-protection design & visible monitoring interface, RS485 communication port (MODBUS-RTU protocol)
- LED display, all the settings can be changed at the field.
- Adaptable for T3 condition up to 55°C degree tropical climate.

Contact Details

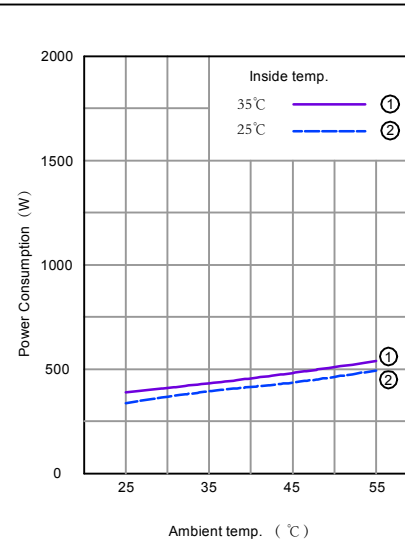
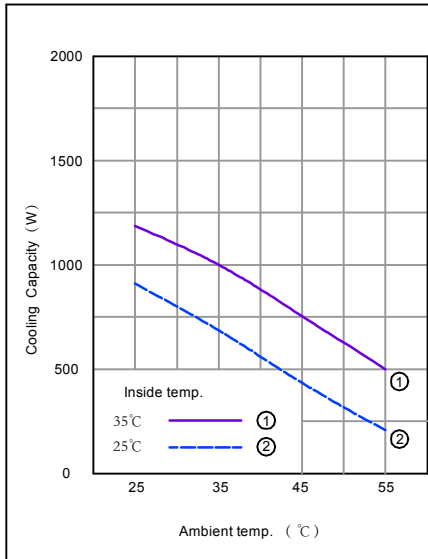
T. +46 763 916 550

info@hunterhex.com
sales@hunterhex.com

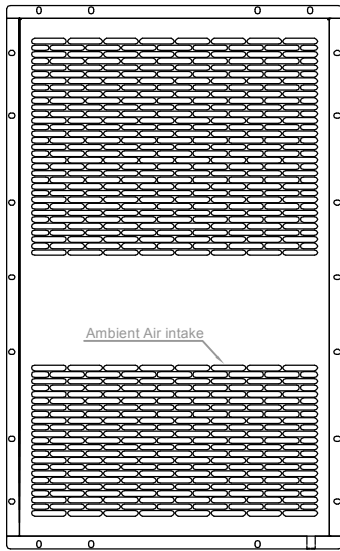
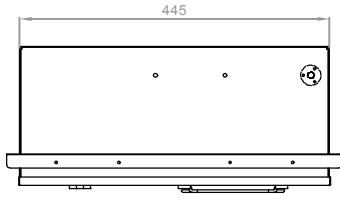
HUNTERHEX AB
EMEA Office
Färögatan 33
SE-164 51 Kista
Sweden

Model Definition:
 A I Y B - 0 1 0 - 0 0 5 - 0 2 0
 A I Y B - 0 1 0 - 0 0 0 - 0 2 0

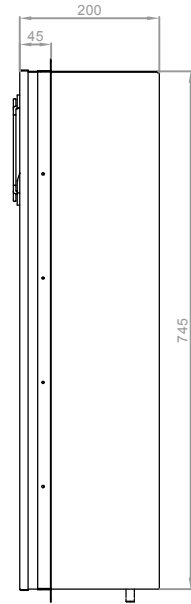
020: Product ID
 000: No heater, 005: Heater Size 500W
 010: Cooling Capacity 1000W
 B: Refrigerant = R134a
 Y: 230VAC 50HZ Power Supply
 I: Industry Application
 A: Air Conditioner



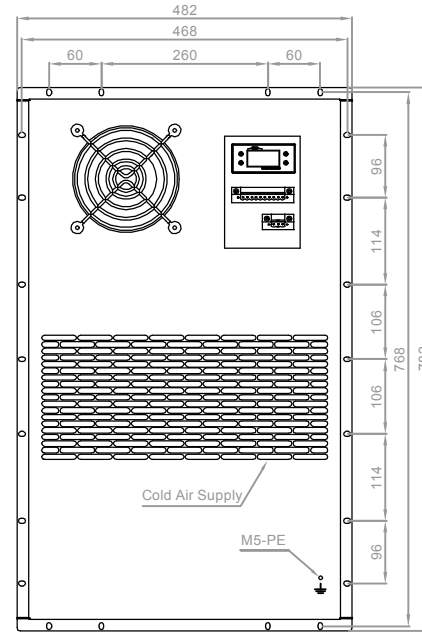
DC power supply range	230VAC ±15% / 50Hz
Cooling capacity	1000W @ 35°C / 35°C
Rated power Consumption	410W @ 35°C / 35°C
Rated current	1.8A @ 35°C / 35°C
Inner circulation air flow rate	400m³/h
Display	LED
Heater	500W (Option per order)
Heater power supply range	230VAC ±15% / 50Hz
Operating temperature range	-15°C ~ +55°C
Max. noise level	65dB(A) @ 1.0m away
IP protection level	IP55 - between external and internal interface
Net weight	30Kg
Outer dimension	745x445x200 (mm,HxWxD)
Refrigerant type	R134a
Certification	CE
Surface treatment	Outdoor type powder coating, standard color: RAL7035
Lifetime	10 years



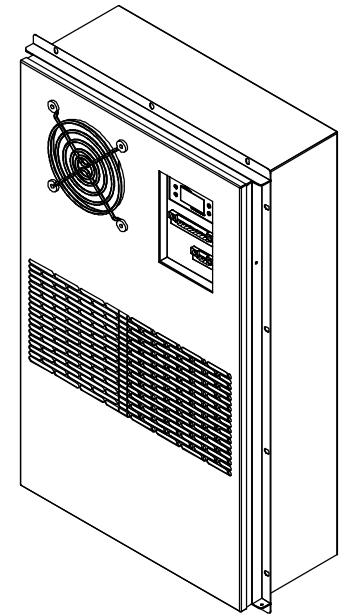
Ambient Side



Drain pipe connection

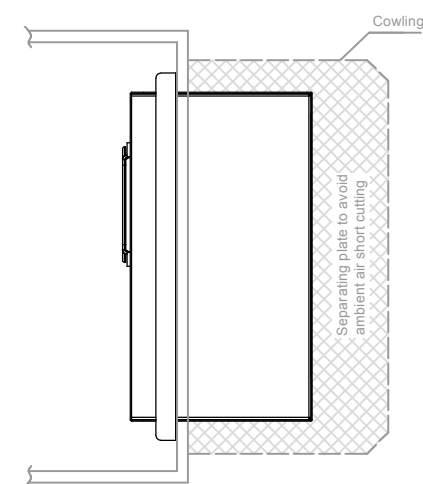
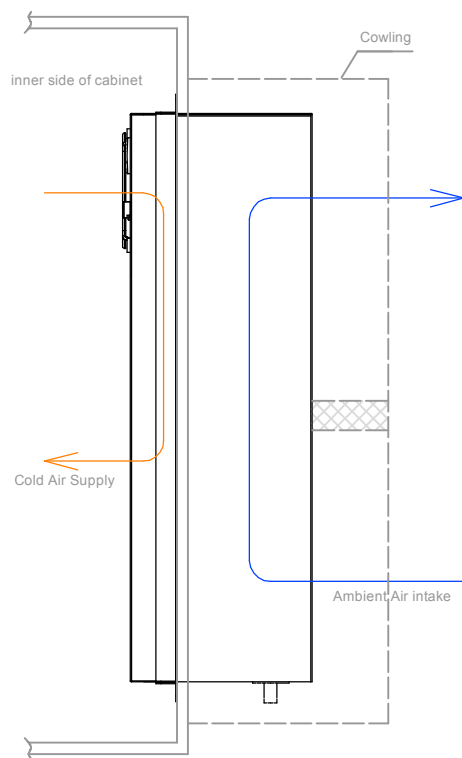


Inner Side



	P/N:	732020	Ver.:	A
	Name:	1000 AC Air Con.		
	Model:	AIYB-010-005-020 AIYB-010-000-020		

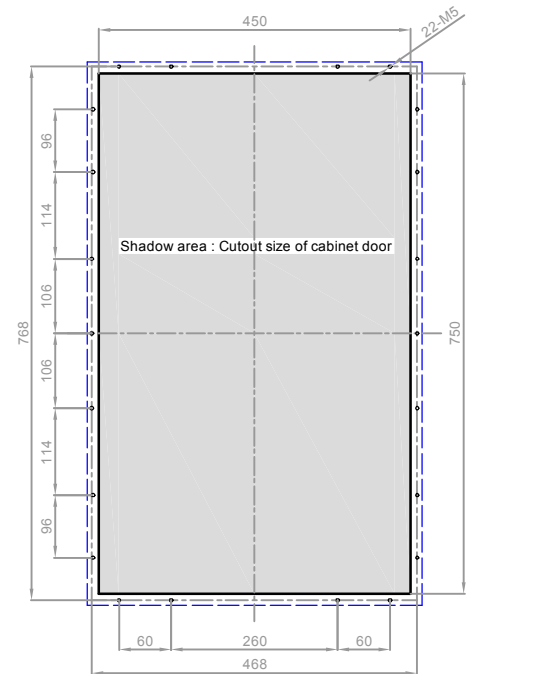
Figure 1 - Installation tips if extra cowling needed by customer



Note:
 It is not recommended to add extra cowling

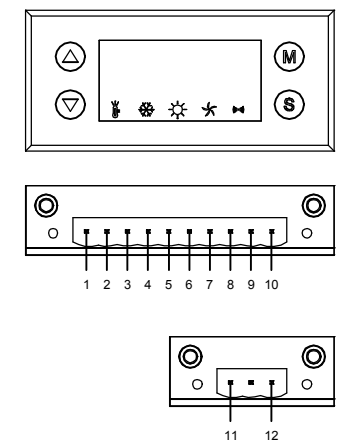
While if customer insist on doing that, please follow below rules:
 1. The louvers for ambient air intake and discharge must keep 70% above open area for having sufficient air flow
 2. A separating plate must be added to avoid air short cut between intake & exhaust air

Figure 2 - Mounting interface with cabinet door



Blue dashed rectangle : Air conditioner projected dimension on door (782x482mm)

Figure 3 - Wiring interface with customer circuit



No.	symbol	Definition
1	T/R+	T/R+ port for RS485 communication
2	T/R-	T/R- port for RS485 communication
3	NC	Normally Closed port for alarming signal output
4	COM	Common Port for Alarming signal output
5	NO	Normally open port for alarming signal output
6		
7	CONTROL	Control signal input : on / off dry switch type
8	/	/
9	/	/
10	/	/
11	L	Pole : AC - L
12	N	Pole : AC - N

Display explanation :
 LED will show inner air temp. at normal working, while also show alarming code when alarming triggered.

- Status bar : with indicator light
- Keep lighting when do parameter setting
 - Keep blinking when unit carry out self testing process
 - Keep lighting under normal cooling operation
 - Keep lighting under normal heating operation
 - Keep lighting when external cycle fan start working
 - Keep blinking for alarming triggered

	P/N:	732020	Ver.:	A
	Name:	1000 AC Air Con.		
	Model:	AIYB-010-005-020 AIYB-010-000-020		