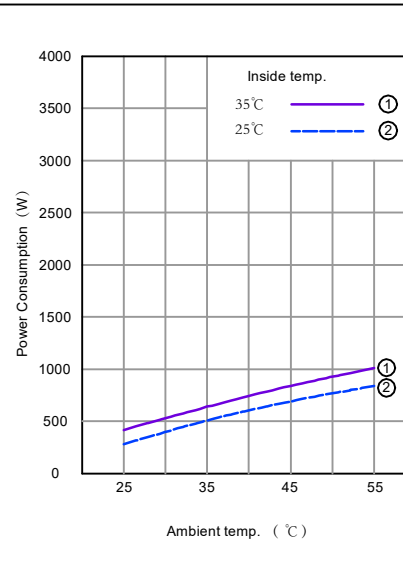
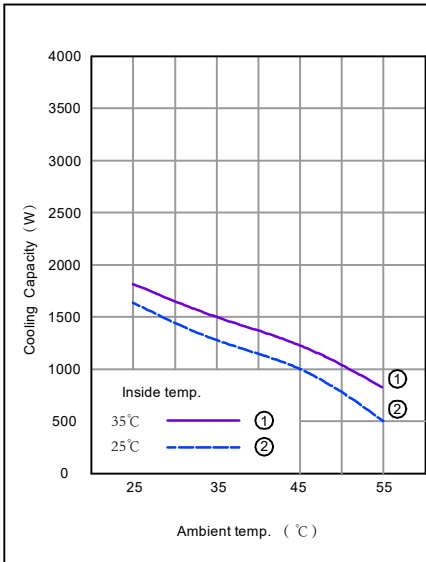


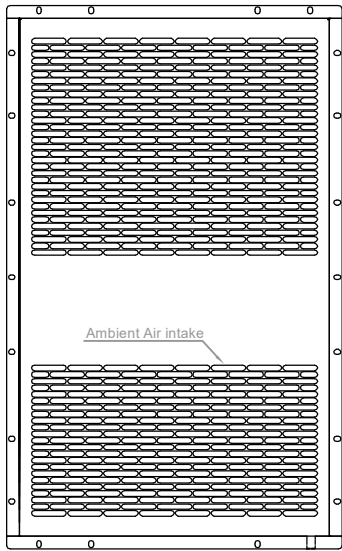
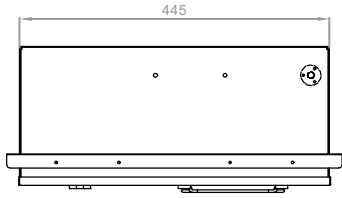
Model Definition:

A I Y B - 0 1 5 - 0 1 0 - 0 3 1  
 A I Y B - 0 1 5 - 0 0 0 - 0 3 1

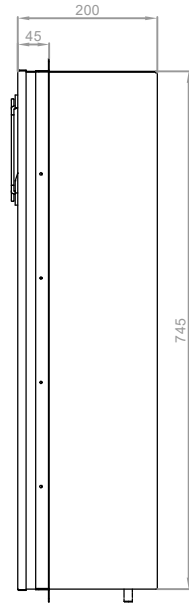
031: Product ID  
 000: No heater; 010: Heater Size 1000W  
 015: Cooling Capacity 1500W  
 B: Refrigerant = R134a  
 Y: 230VAC 50HZ Power Supply  
 I: Industry Application  
 A: Air Conditioner



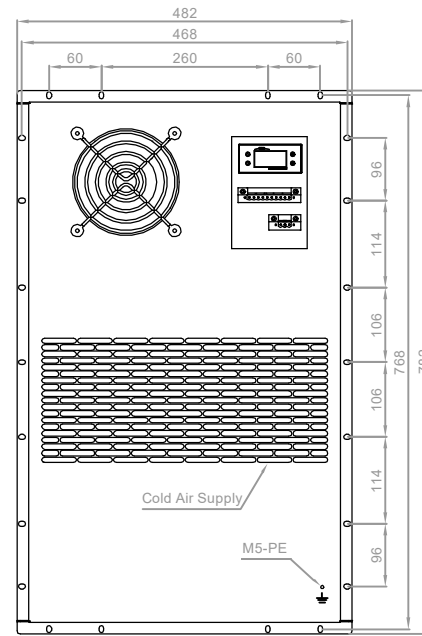
DC power supply range	230VAC ±15% / 50Hz
Cooling capacity	1500W @ 35°C / 35°C
Rated power Consumption	650W @ 35°C / 35°C
Rated current	3.0A @ 35°C / 35°C
Inner circulation air flow rate	500m³/h
Display	LED
Heater	1000W (Option per order)
Heater power supply range	230VAC ±15% / 50Hz
Operating temperature range	-15°C ~ +55°C
Max. noise level	65dB(A) @ 1.0m away
IP protection level	IP55 - between external and internal interface
Net weight	32Kg
Outer dimension	745x445x200 (mm,HxWxD)
Refrigerant type	R134a
Certification	CE
Surface treatment	Outdoor type powder coating, standard color: RAL7035
Lifetime	10 years



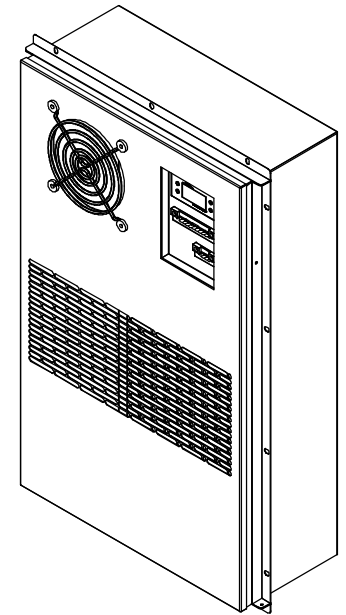
Ambient Side



Drain pipe connection

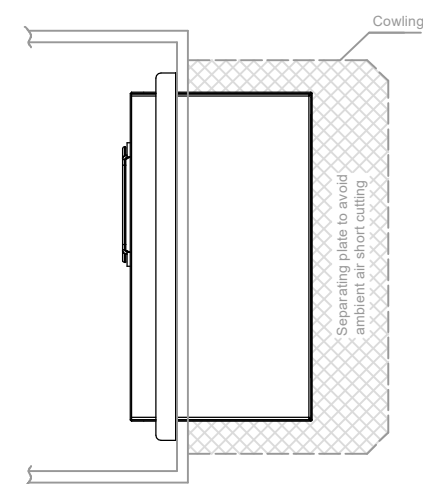
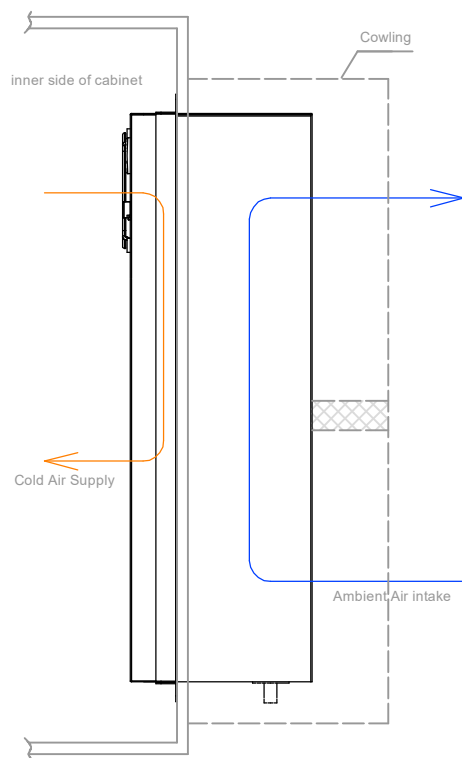


Inner Side



	P/N:	732031	Ver.:	A
	Name:	1500W AC Air Con.		
	Model:	AIYB-015-010-031 AIYB-015-000-031		

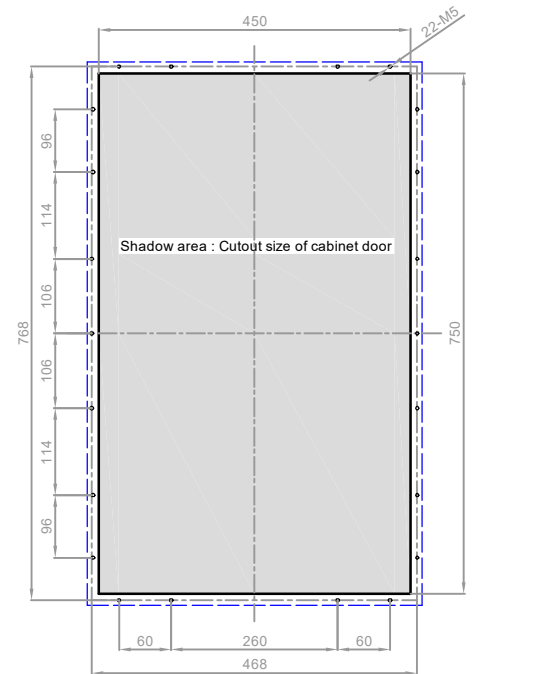
Figure 1 - Installation tips if extra cowling needed by customer



Note:  
 It is not recommended to add extra cowling

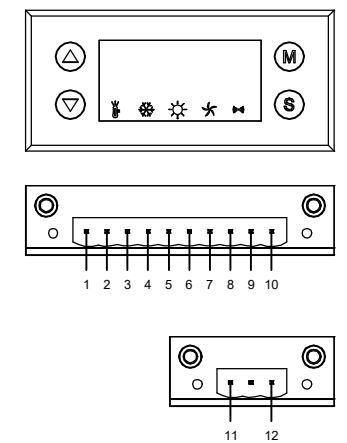
While if customer insist on doing that, please follow below rules:  
 1. The louvers for ambient air intake and discharge must keep 70% above open area for having sufficient air flow  
 2. A separating plate must be added to avoid air short cut between intake & exhaust air

Figure 2 - Mounting interface with cabinet door



Blue dashed rectangle : Air conditioner projected dimension on door (782x482mm)

Figure 3 - Wiring interface with customer circuit



No.	symbol	Definition
1	T/R+	T/R+ port for RS485 communication
2	T/R-	T/R- port for RS485 communication
3	NC	Normally Closed port for alarming signal output
4	COM	Common Port for Alarming signal output
5	NO	Normally open port for alarming signal output
6		
7	CONTROL	Control signal input : on / off dry switch type
8	/	/
9	/	/
10	/	/
11	L	Pole : AC - L
12	N	Pole : AC - N

Display explanation :  
 LED will show inner air temp. at normal working, while also show alarming code when alarming triggered.

- Status bar : with indicator light
- Keep lighting when do parameter setting
  - Keep blinking when unit carry out self testing process
  - Keep lighting under normal cooling operation
  - Keep lighting under normal heating operation
  - Keep lighting when external cycle fan start working
  - Keep blinking for alarming triggered

	P/N:	732031	Ver.:	A
	Name:	1500W AC Air Con.		
	Model:	AIYB-015-010-031 AIYB-015-000-031		