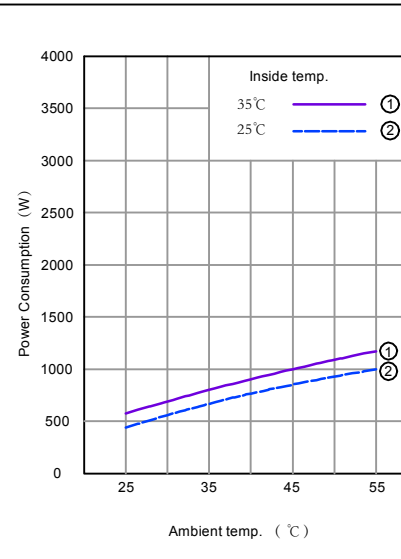
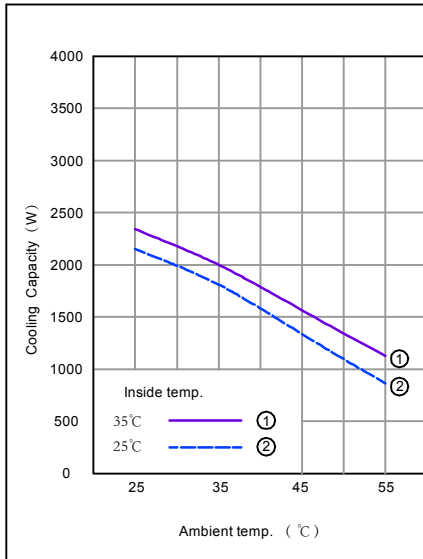
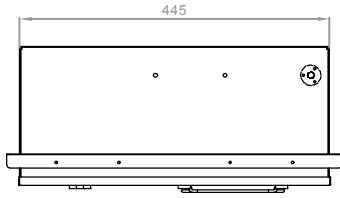
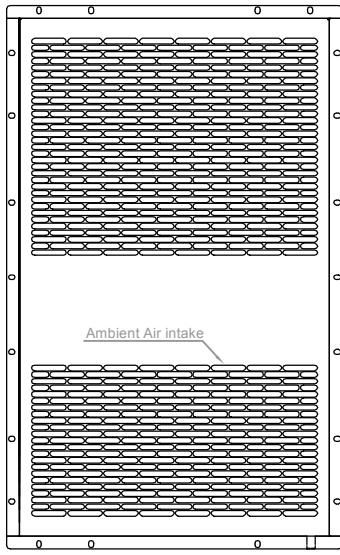


Model Definition:  
 A I Y B - 0 2 0 - 0 1 0 - 0 3 0  
 A I Y B - 0 2 0 - 0 0 0 - 0 3 0

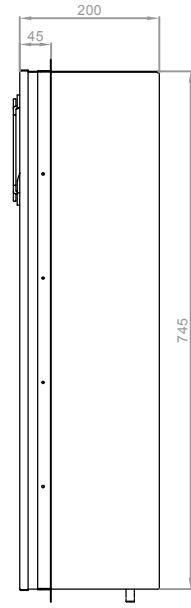
030: Product ID  
 000: No heater; 010: Heater Size 1000W  
 020: Cooling Capacity 2000W  
 B: Refrigerant = R134a  
 Y: 230VAC 50HZ Power Supply  
 I: Industry Application  
 A: Air Conditioner



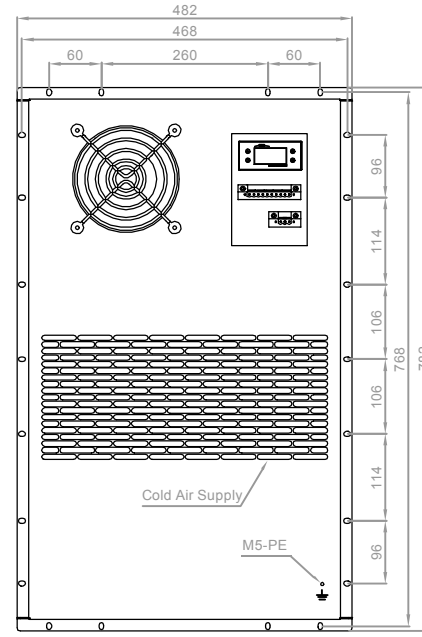
|                                 |  |
|---------------------------------|--|
| AC power supply range           | 230VAC ±15% / 50Hz                                   |
| Cooling capacity                | 2000W @ 35°C / 35°C                                  |
| Rated power Consumption         | 800W @ 35°C / 35°C                                   |
| Rated current                   | 3.5A @ 35°C / 35°C                                   |
| Inner circulation air flow rate | 500m³/h  |
| Display                         | LED  |
| Heater                          | 1000W (Option per order)                             |
| Heater power supply range       | 230VAC ±15% / 50Hz                                   |
| Operating temperature range     | -15°C ~ +55°C  |
| Max. noise level                | 65dB(A) @ 1.0m away                                  |
| IP protection level             | IP55 - between external and internal interface       |
| Net weight                      | 32Kg   |
| Outer dimension                 | 745x445x200 (mm,HxWxD)                               |
| Refrigerant type                | R134a  |
| Certification                   | CE   |
| Surface treatment               | Outdoor type powder coating, standard color: RAL7035 |
| Lifetime                        | 10 years   |



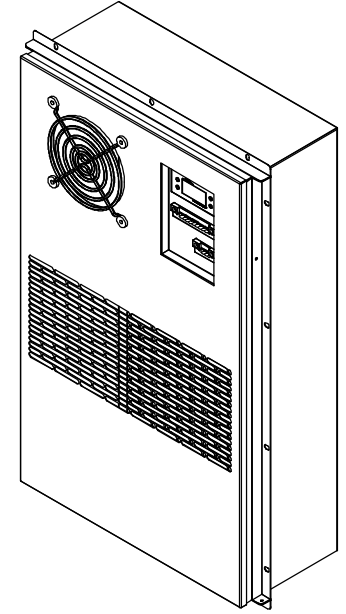
Ambient Side



Drain pipe connection

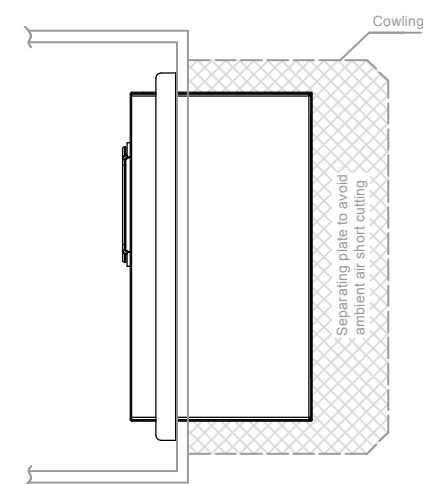
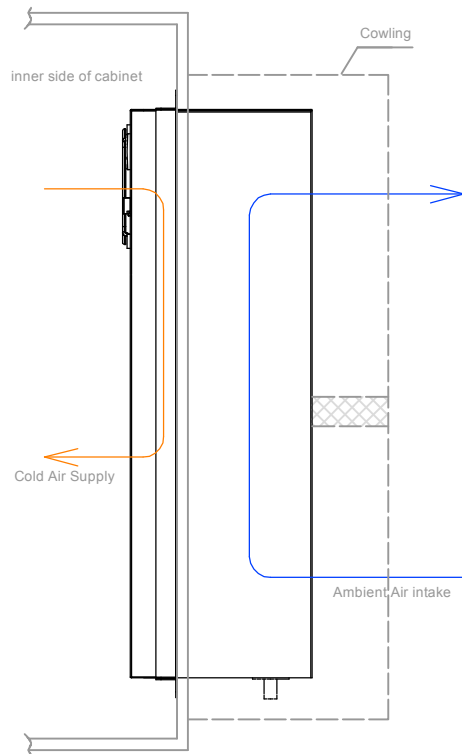


Inner Side



|  |        |                                      |       |   |
|--|--------|--------------------------------------|-------|---|
|  | P/N:   | 732030                               | Ver.: | A |
|  | Name:  | 2000W AC Air Con.                    |       |   |
|  | Model: | AIYB-020-010-030<br>AIYB-020-000-030 |       |   |

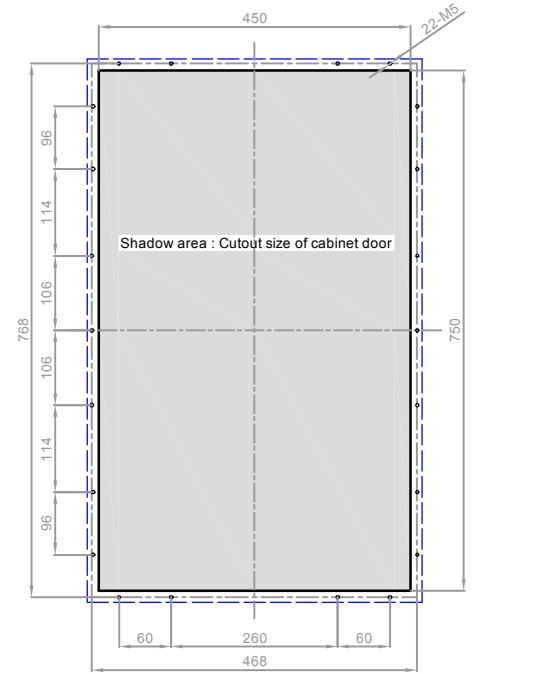
Figure 1 - Installation tips if extra cowling needed by customer



Note:  
 It is not recommended to add extra cowling

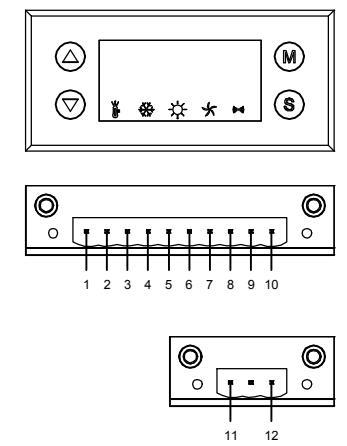
While if customer insist on doing that, please follow below rules:  
 1. The louvers for ambient air intake and discharge must keep 70% above open area for having sufficient air flow  
 2. A separating plate must be added to avoid air short cut between intake & exhaust air

Figure 2 - Mounting interface with cabinet door



Blue dashed rectangle : Air conditioner projected dimension on door (782x482mm)

Figure 3 - Wiring interface with customer circuit



| No. | symbol  | Definition                                      |
|-----|---------|---|
| 1   | T/R+    | T/R+ port for RS485 communication               |
| 2   | T/R-    | T/R- port for RS485 communication               |
| 3   | NC      | Normally Closed port for alarming signal output |
| 4   | COM     | Common Port for Alarming signal output          |
| 5   | NO      | Normally open port for alarming signal output   |
| 6   |         |   |
| 7   | CONTROL | Control signal input : on / off dry switch type |
| 8   | /       | /   |
| 9   | /       | /   |
| 10  | /       | /   |
| 11  | L       | Pole : AC - L                                   |
| 12  | N       | Pole : AC - N                                   |

Display explanation :  
 LED will show inner air temp. at normal working, while also show alarming code when alarming triggered.

- Status bar : with indicator light
- Keep lighting when do parameter setting
  - Keep blinking when unit carry out self testing process
  - Keep lighting under normal cooling operation
  - Keep lighting under normal heating operation
  - Keep lighting when external cycle fan start working
  - Keep blinking for alarming triggered

|  |        |                                      |       |   |
|--|--------|--------------------------------------|-------|---|
|  | P/N:   | 732030                               | Ver.: | A |
|  | Name:  | 2000W AC Air Con.                    |       |   |
|  | Model: | AIYB-020-010-030<br>AIYB-020-000-030 |       |   |