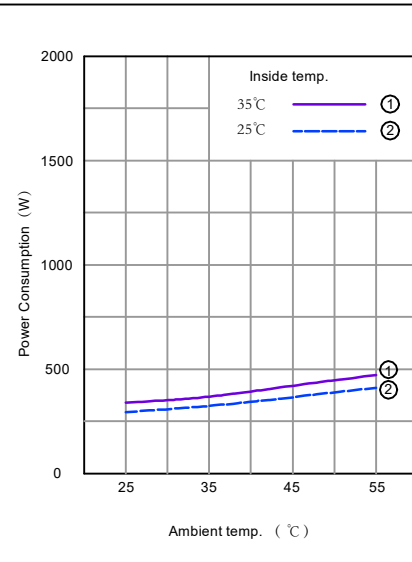
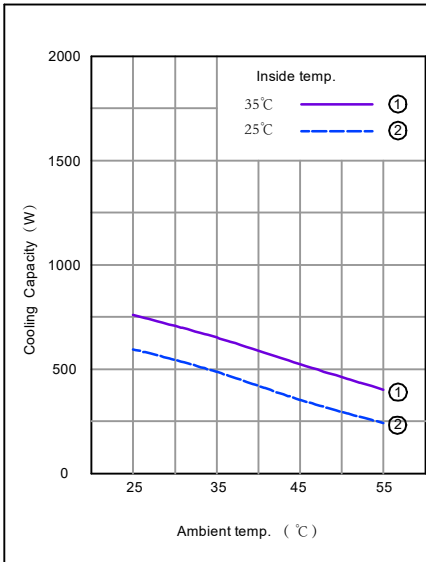
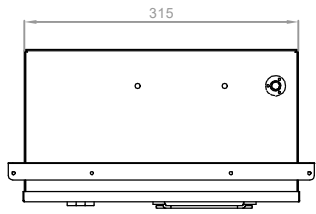


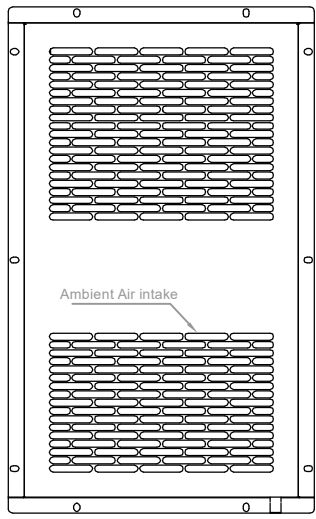
Model Definition:

A I Y B - 0 0 7 - 0 0 0 - 0 1 1

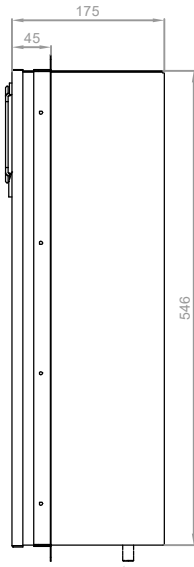
- 011: Product ID
- 000: No heater
- 007: Cooling Capacity 700W
- B: Refrigerant = R134a
- Y: 230VAC 50HZ Power Supply
- I: Industry Application
- A: Air Conditioner



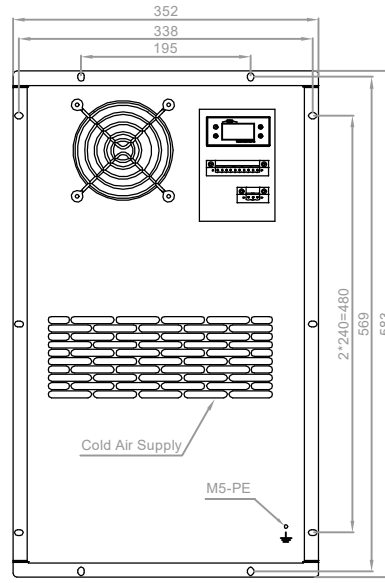
AC power supply range	230VAC ±15% / 50Hz
Cooling capacity	700W @ 35°C / 35°C
Rated power Consumption	300W @ 35°C / 35°C
Rated current	1.5A @ 35°C / 35°C
Inner circulation air flow rate	175m³/h
Display	LED
Heater	Option
Heater power supply range	230VAC ±15% / 50Hz
Operating temperature range	-15°C ~ +55°C
Max. noise level	65dB(A) @ 1.0m away
IP protection level	IP55 - between external and internal interface
Net weight	20Kg
Outer dimension	546x315x175 (mm,HxWxD)
Refrigerant type	R134a
Certification	CE
Surface treatment	Outdoor type powder coating, standard color: RAL7035
Lifetime	10 years



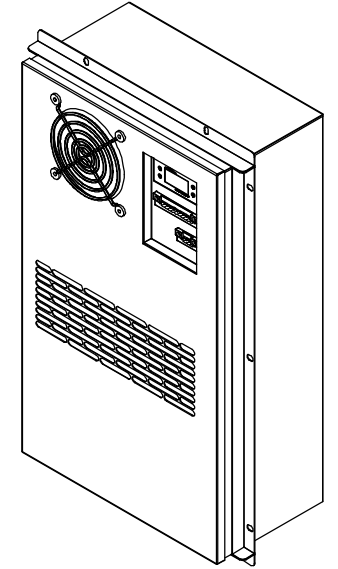
Ambient Side



Drain pipe connection

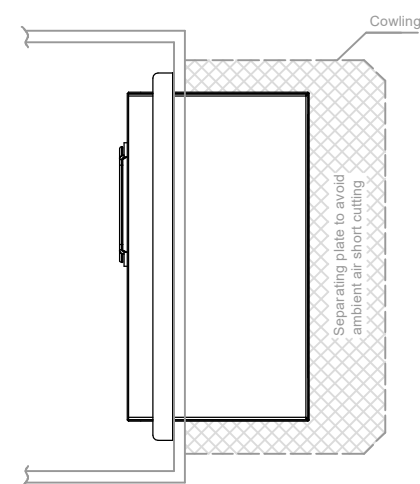
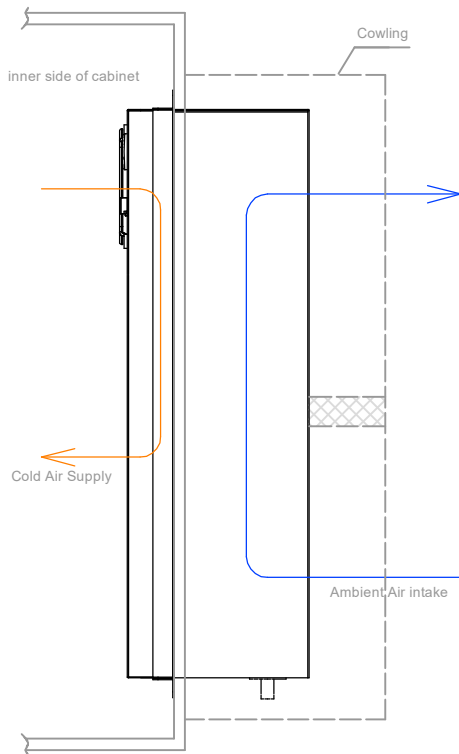


Inner Side



	P/N:	732011	Ver.:	A
	Name:	700W AC Air Con.		
	Model:	AIYB-007-000-011		

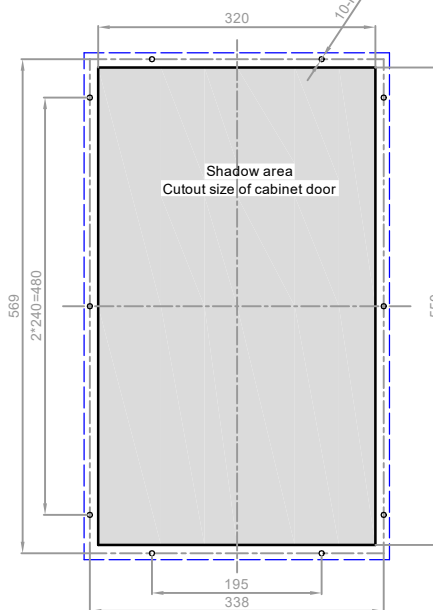
Figure 1 - Installation tips if extra cowling needed by customer



Note:
It is not recommended to add extra cowling

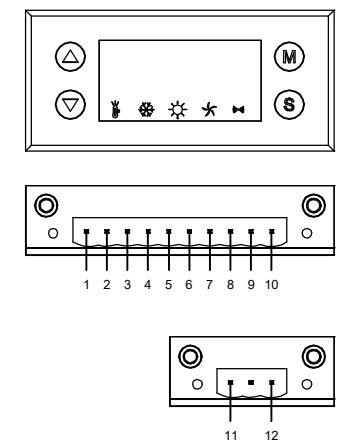
- While if customer insist on doing that, please follow below rules:
- The louvers for ambient air intake and discharge must keep 70% above open area for having sufficient air flow
 - A separating plate must be added to avoid air short cut between intake & exhaust air

Figure 2 - Mounting interface with cabinet door



Blue dashed rectangle : Air conditioner projected dimension on door (583x352mm)

Figure 3 - Wiring interface with customer circuit



No.	symbol	Definition
1	T/R+	T/R+ port for RS485 communication
2	T/R-	T/R- port for RS485 communication
3	NC	Normally Closed port for alarming signal output
4	COM	Common Port for Alarming signal output
5	NO	Normally open port for alarming signal output
6	CONTROL	Control signal input : on / off dry switch type
7	/	/
8	/	/
9	/	/
10	/	/
11	L	Pole : AC - L
12	N	Pole : AC - N

Display explanation :
LED will show inner air temp. at normal working, while also show alarming code when alarming triggered.

- Status bar : with indicator light
- Keep lighting when do parameter setting
 - Keep blinking when unit carry out self testing process
 - Keep lighting under normal cooling operation
 - Keep lighting under normal heating operation
 - Keep lighting when external cycle fan start working
 - Keep blinking for alarming triggered

	P/N:	732011	Ver.:	A
	Name:	700W AC Air Con.		
	Model:	AIYB-007-000-011		