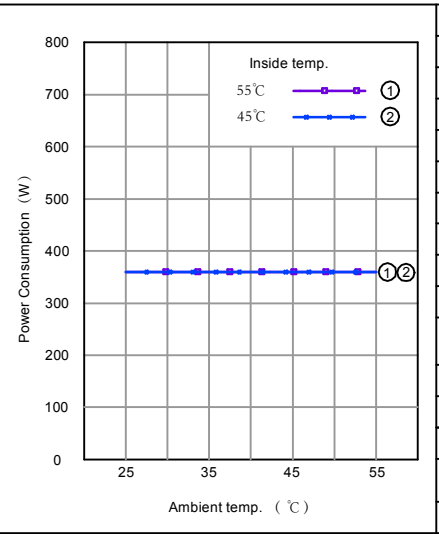
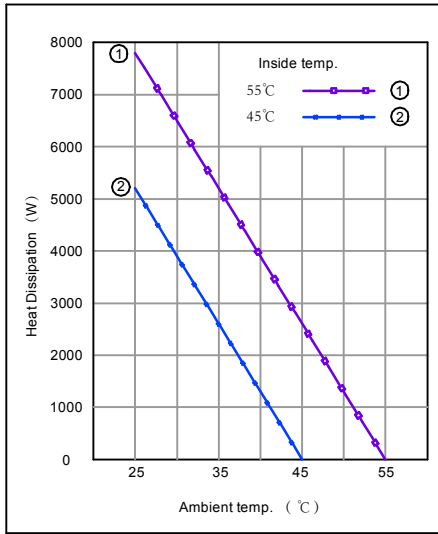
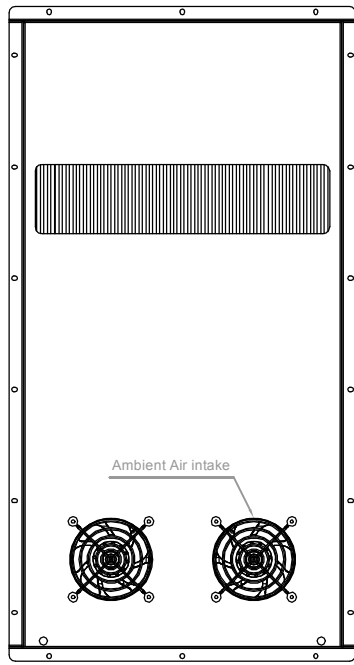
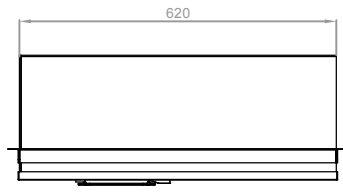


Model Definition:
 HCZA-260-010-050
 HCZA-260-000-050

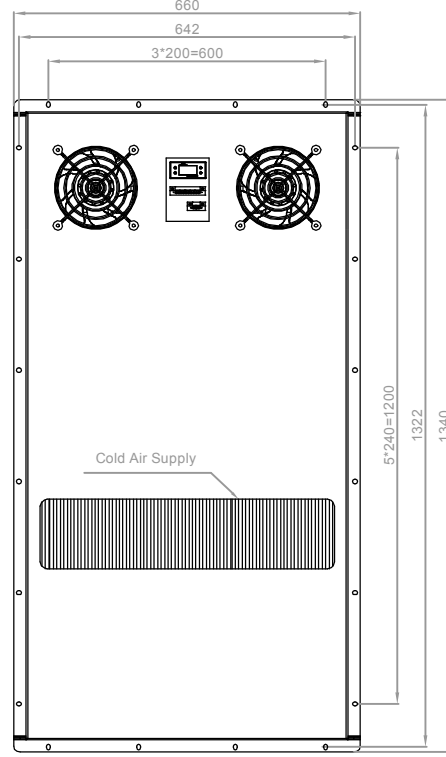
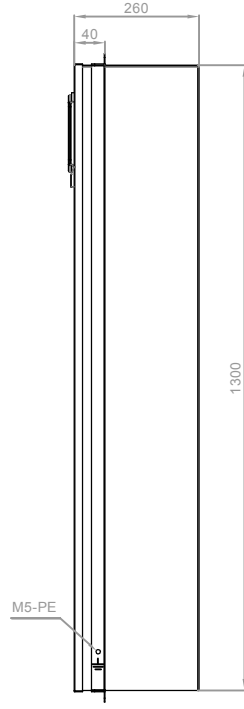
050: Product ID
 000: No heater; 010: Heater Size 1000W
 260: Heat Exchange capacity 260W / K
 A: Air Cooling
 Z: DC Power Supply
 C: Cabinet Application
 H: Heat Exchanger



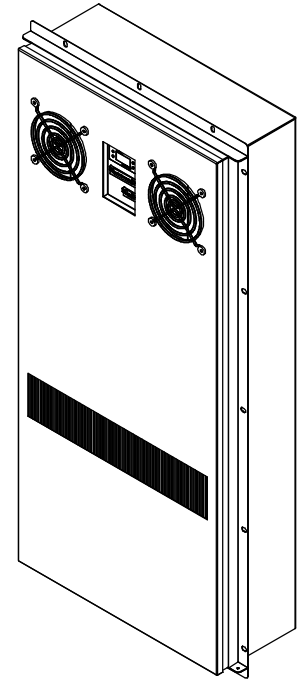
DC power supply range	48VDC (40 ~ 60VDC)
Heat Exchange capacity	260W / K
Rated power Consumption	360W
Rated current	7.5A
Inner circulation air flow rate	1500m³/h
Display	LED
Heater	1000W (Option per order)
Heater power supply range	230VAC±15% 50 / 60Hz
Operating temperature range	-15°C ~ +65°C
Max. noise level	65dB(A) @ 1.0m away
IP protection level	IP55 - between external and internal interface
Net weight	40Kg
Outer dimension	1300x620x260 (mm,HxWxD)
Certification	CE
Surface treatment	Outdoor type powder coating, standard color: RAL7035
Lifetime	10 years



Ambient Side

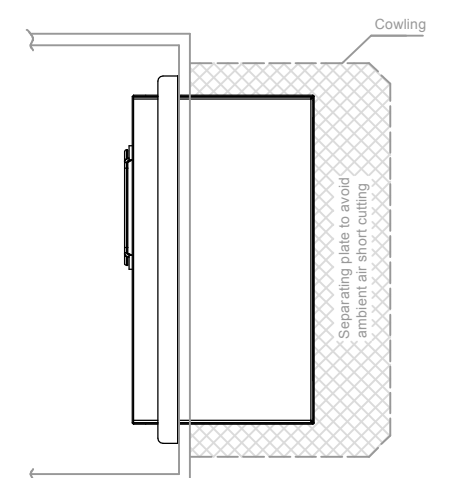
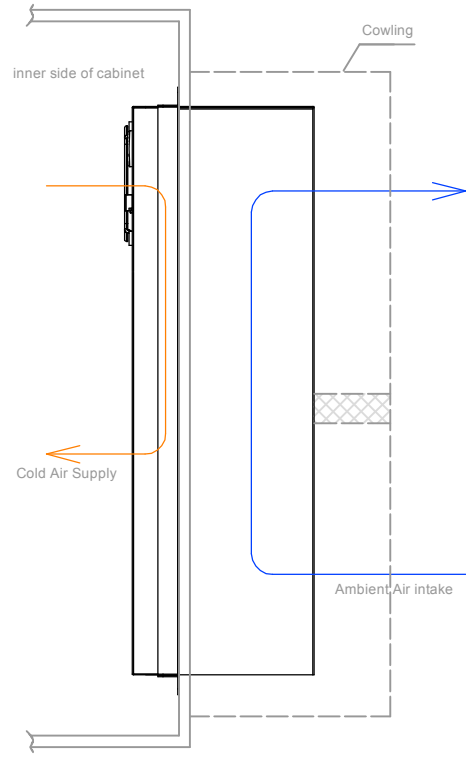


Inner Side



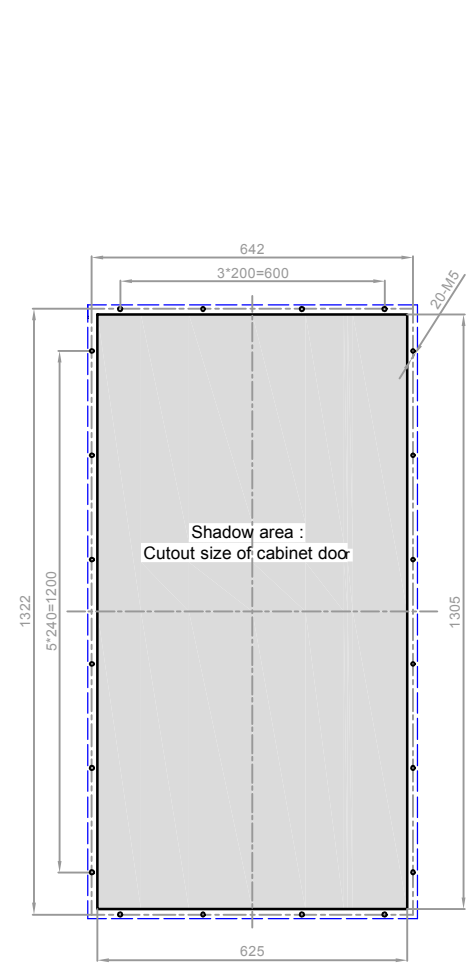
		P/N: 511050	Ver.: A
		Name: 260W / K DC HEX	
		Model: HCZA-260-010-050	
		HCZA-260-000-050	

Figure 1 - Installation tips if extra cowling needed by customer



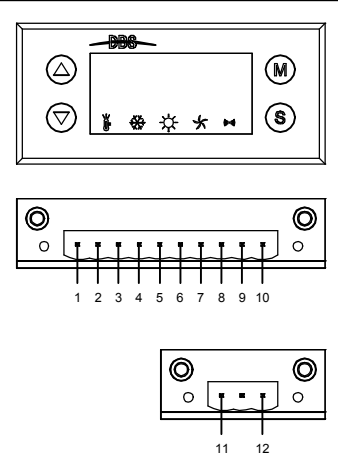
Note:
 It is not recommended to add extra cowling
 While if customer insist on doing that, please follow below rules:
 1. The louvers for ambient air intake and discharge must keep 70% above open area for having sufficient air flow
 2. A separating plate must be added to avoid air short cut between intake & exhaust air

Figure 2 - Mounting interface with cabinet door



Blue dashed rectangle : Air conditioner projected dimension on door (1340x660mm)

Figure 3 - Wiring interface with customer circuit



No.	symbol	Definition
1	T/R+	T/R+ port for RS485 communication
2	T/R-	T/R- port for RS485 communication
3	NC	Normally Closed port for alarming signal output
4	COM	Common Port for Alarming signal output
5	NO	Normally open port for alarming signal output
6		
7	CONTROL	Control signal input : on / off dry switch type
8	/	/
9	+V	Pole : DC - positive
10	-V	Pole : DC - negative
11	L	Pole : AC - L
12	N	Pole : AC - N

Display explanation :
 LED will show inner air temp. at normal working, while also show alarming code when alarming triggered.

Status bar : with indicator light

- Keep lighting when do parameter setting
- Keep blinking when unit carry out self testing process
- Keep lighting under normal cooling operation
- Keep lighting under normal heating operation
- Keep lighting when external cycle fan start working
- Keep blinking for alarming triggered

		P/N: 511050	Ver.: A
		Name: 260W / K DC HEX	
		Model: HCZA-260-010-050	
		HCZA-260-000-050	