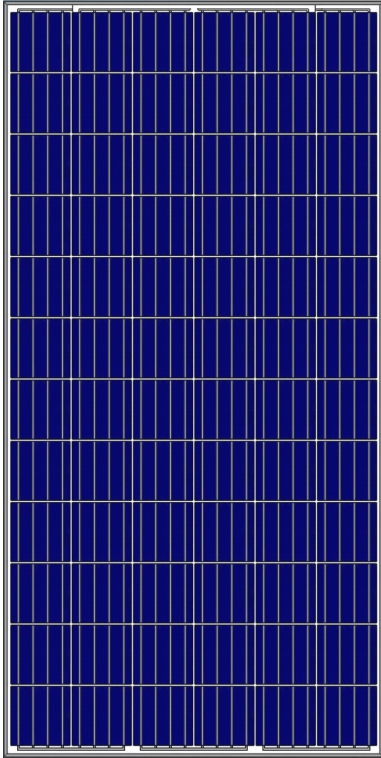


HAS-6P

POLYCRYSTALLINE MODULE



ADVANCED PERFORMANCE & PROVEN ADVANTAGES

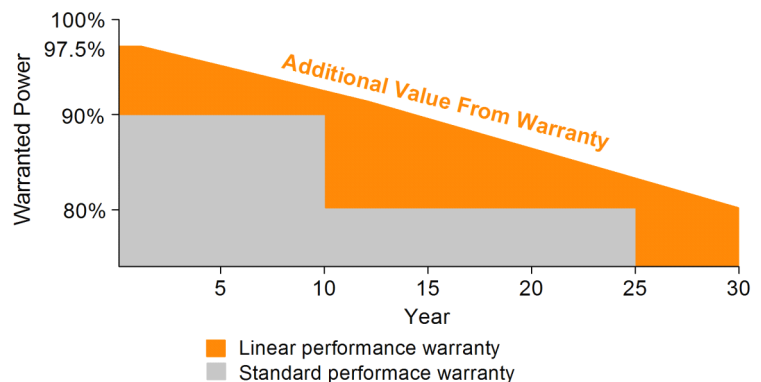
- High module conversion efficiency up to 17.52% by using high efficient solar cells and advanced manufacturing technology.
- Low degradation and excellent performance under high temperature and low light conditions.
- Robust aluminum frame ensures the modules to withstand wind loads up to 2400Pa and snow loads up to 5400Pa.
- High reliability against extreme environmental conditions (passing salt mist, ammonia and hail tests).
- Potential induced degradation (PID) resistance.
- Positive power tolerance of 0 ~ +3 %.

CERTIFICATIONS

- IEC61215, IEC61730, IEC62716, IEC61701, CE, CQC, CGC, ETL(USA), JET(Japan), J-PEC(Japan), Kemco(South Korea), KS(South Korea), MCS(UK), CEC(Australia), FSEC(FL-USA), CSI Eligible(CA-USA), Israel Electric(Israel), InMetro(Brazil), TSE(Turkey)
- ISO9001:2008: Quality management system
- ISO14001:2004: Environmental management system
- OHSAS18001:2007: Occupational health and safety management system

SPECIAL WARRANTY

- 12 years limited product warranty.
- Limited linear power warranty: 12 years 91.2% of the nominal power output, 30 years 80.6% of the nominal power output.



**Passionately
committed to
delivering innovative
energy solution**



ELECTRICAL CHARACTERISTICS AT STC

| | | | | | | | | | |
|---------------------------------------|---|-------|-------|-------|-------|-------|-------|-------|-------|
| Nominal Power (P_{max}) | 300W | 305W | 310W | 315W | 320W | 325W | 330W | 335W | 340W |
| Open Circuit Voltage (V_{oc}) | 45.3V | 45.4V | 45.5V | 45.6V | 45.7V | 45.8V | 45.9V | 46.0V | 46.1V |
| Short Circuit Current (I_{sc}) | 8.68A | 8.76A | 8.85A | 8.93A | 9.04A | 9.15A | 9.26A | 9.38A | 9.50A |
| Voltage at Nominal Power (V_{mp}) | 36.7V | 36.8V | 36.9V | 37.0V | 37.1V | 37.2V | 37.3V | 37.4V | 37.5V |
| Current at Nominal Power (I_{mp}) | 8.18A | 8.29A | 8.41A | 8.52A | 8.63A | 8.74A | 8.85A | 8.96A | 9.07A |
| Module Efficiency (%) | 15.46 | 15.72 | 15.98 | 16.23 | 16.49 | 16.75 | 17.01 | 17.26 | 17.52 |
| Operating Temperature | -40°C to +85°C | | | | | | | | |
| Maximum System Voltage | 1000V DC | | | | | | | | |
| Fire Resistance Rating | Type 1(in accordance with UL1703)/Class C(IEC61730) | | | | | | | | |
| Maximum Series Fuse Rating | 15A | | | | | | | | |

STC: Irradiance 1000W/m², Cell temperature 25°C, AM1.5

ELECTRICAL CHARACTERISTICS AT NOCT

| | | | | | | | | | |
|---------------------------------------|-------|-------|-------|-------|-------|-------|-------|-------|-------|
| Nominal Power (P_{max}) | 221W | 224W | 228W | 232W | 236W | 239W | 243W | 247W | 251W |
| Open Circuit Voltage (V_{oc}) | 41.7V | 41.8V | 41.9V | 42.0V | 42.1V | 42.2V | 42.3V | 42.4V | 42.5V |
| Short Circuit Current (I_{sc}) | 7.03A | 7.10A | 7.17A | 7.23A | 7.32A | 7.41A | 7.50A | 7.60A | 7.70A |
| Voltage at Nominal Power (V_{mp}) | 33.4V | 33.5V | 33.6V | 33.7V | 33.8V | 33.9V | 34.0V | 34.1V | 34.2V |
| Current at Nominal Power (I_{mp}) | 6.62A | 6.69A | 6.79A | 6.89A | 6.98A | 7.05A | 7.15A | 7.25A | 7.34A |

NOCT: Irradiance 800W/m², Ambient temperature 20°C, Wind Speed 1 m/s

MECHANICAL CHARACTERISTICS

| | |
|-------------------|--|
| Cell type | Polycrystalline 156x156mm (6x6inches) |
| Number of cells | 72 (6x12) |
| Module dimensions | 1956x992x40mm (77.01x39.06x1.57inches) |
| Weight | 22.5kg (49.6lbs) |
| Front cover | 3.2mm (0.13inches) tempered glass with AR coating |
| Frame | Anodized aluminum alloy |
| Junction box | IP67, 3 diodes |
| Cable | 4mm ² (0.006inches ²), 1000mm (39.37inches) |
| Connector | MC4 or MC4 compatible |

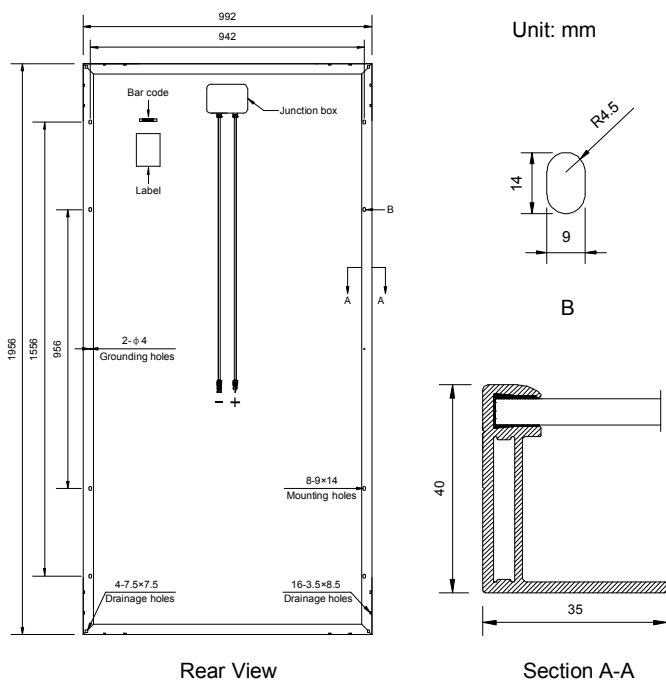
TEMPERATURE CHARACTERISTICS

| | |
|---|-----------|
| Nominal Operating Cell Temperature (NOCT) | 45°C±2°C |
| Temperature Coefficients of P_{max} | -0.41%/°C |
| Temperature Coefficients of V_{oc} | -0.31%/°C |
| Temperature Coefficients of I_{sc} | 0.05%/°C |

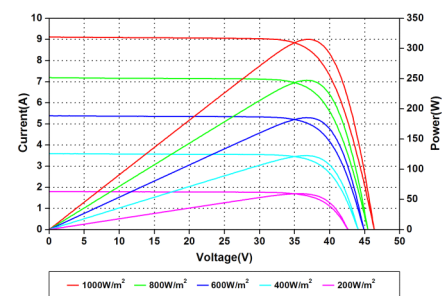
PACKAGING

| | |
|-----------------------------------|-----------------------|
| Standard packaging | 26pcs/pallet |
| Module quantity per 20' container | 260pcs |
| Module quantity per 40' container | 572pcs(GP)/616pcs(HQ) |

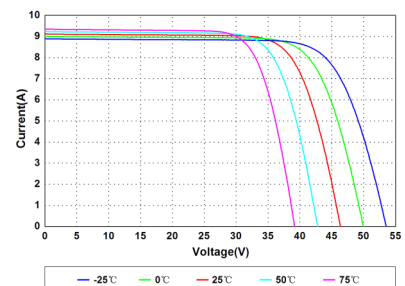
ENGINEERING DRAWINGS



IV CURVES



Current-Voltage and Power-Voltage Curves at Different Irradiances



Current-Voltage Curves at Different Temperatures

Specifications in this datasheet are subject to change without prior notice.